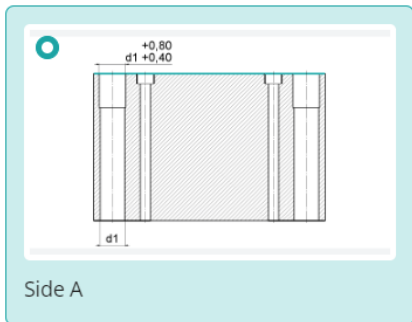


Clearance side



Diameter of the location ring recess

60



Depth of the location ring recess

4.00

mm

Lateral threads

-

1

+

Drawings of the lateral threads



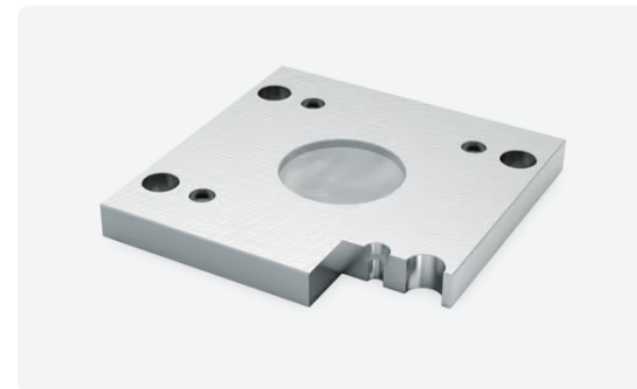
Drop your drawings here.

[Browse files.](#)

File format: PDF

Max. file size: 25 MB

sample.pdf

2.96 KB  

Special plate

€ -----,--

Price per piece (VAT not included)

-

1 pcs.

+

[Change quantity](#)

Total net

€ -----,--

[Add to shopping cart](#)

Add to a parts list

Select parts list

